

# IMPORTANT NOTICE

This document **MUST** be forwarded to your architect or building contractor to ensure that the site is prepared correctly as any mistakes could be extremely costly.



Pre-Installation Document

Rio



## General Site Requirements.

**The wall decoration and floor covering must be complete and finished.**

### Positioning and fixing the unit.

The Rio bath is freestanding.

Adjacent walls need to be plumb, flat and clear of obstructions from floor level to 1050mm.

Skirting boards may be left in place and the wall may be tiled.

Fig 1

If the unit is to be installed in an alcove or into a corner the side wall/walls will also have to be clear for a height of 1050mm.

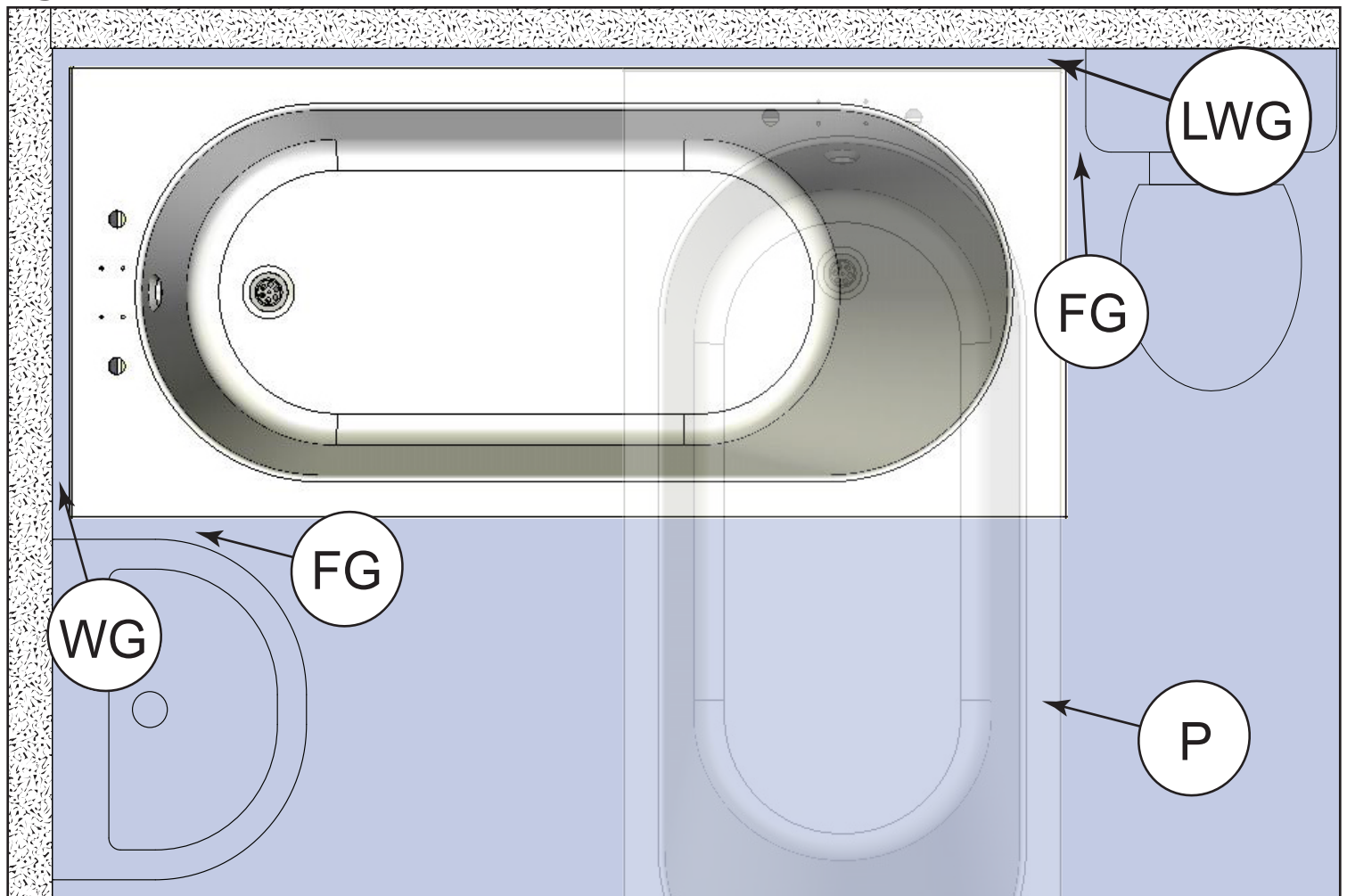
The bath can be fitted as a Corner unit, Peninsular unit (P) or an Island unit.

A minimum clearance of 40mm is required against any adjacent walls (WG & LWG) and fixed appliances (FG) including toilets, radiators, sinks and shower units.

**Note: If the bath (corner fitting) is ordered with neatfold stretcher, the gap at the long side of the bath (LWG) would have to be 65mm.**

**If a Peninsular (P) or Island layout is required with a neatfold stretcher there must be enough clearance for the stretcher to swing and fold to the side of the bath, 400mm minimum.**

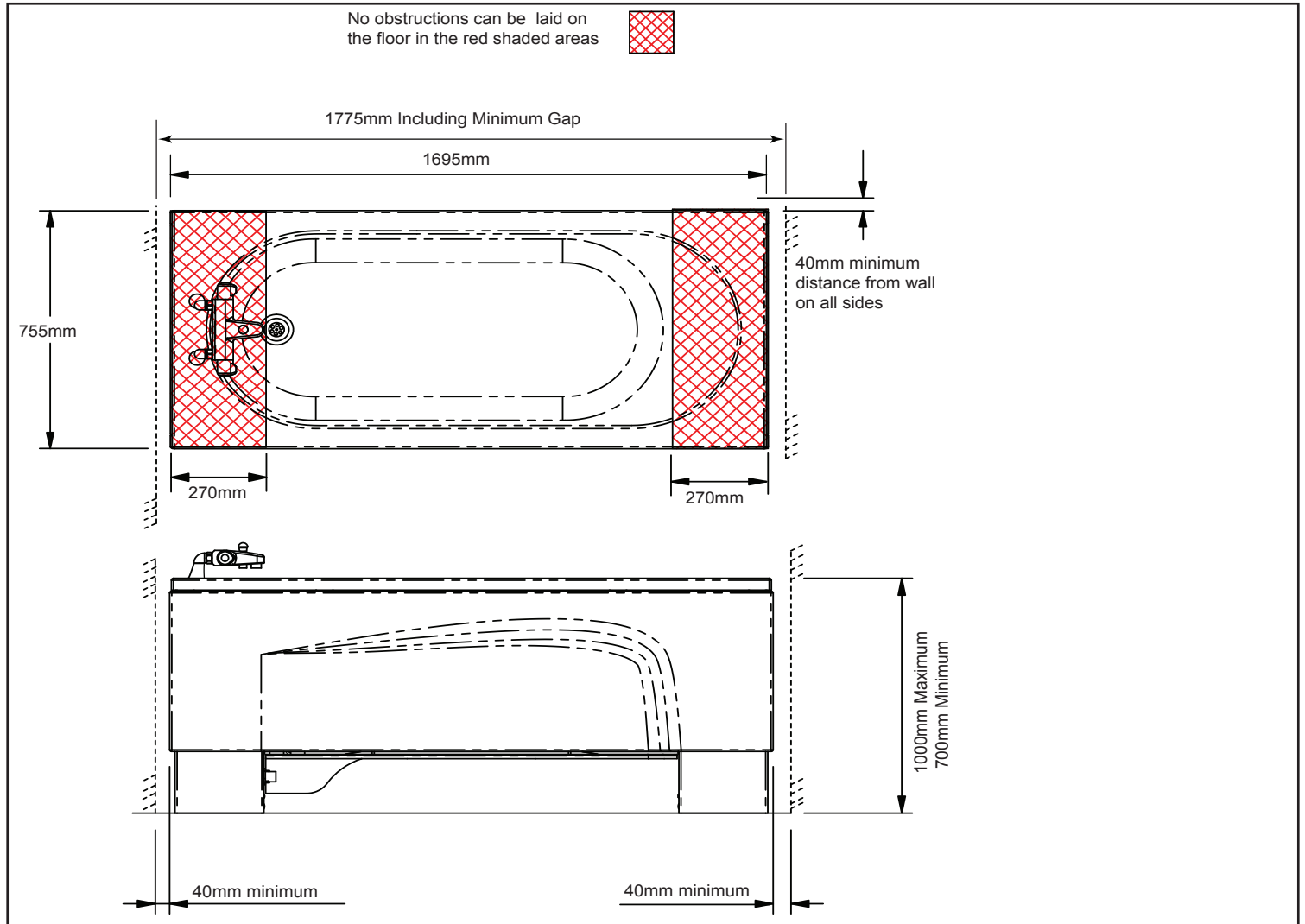
Fig 1



## Positioning and fixing the unit - Continued

Fig 2  
When calculating the footprint of the bath use the diagram below and ensure the clearances are provided at the ends and at the sides. The red shaded areas must be kept clear of any pipework or wiring. The floor must be strong enough (especially in the foot areas in red) to carry the weight of the bath when full and occupied.

Fig 2



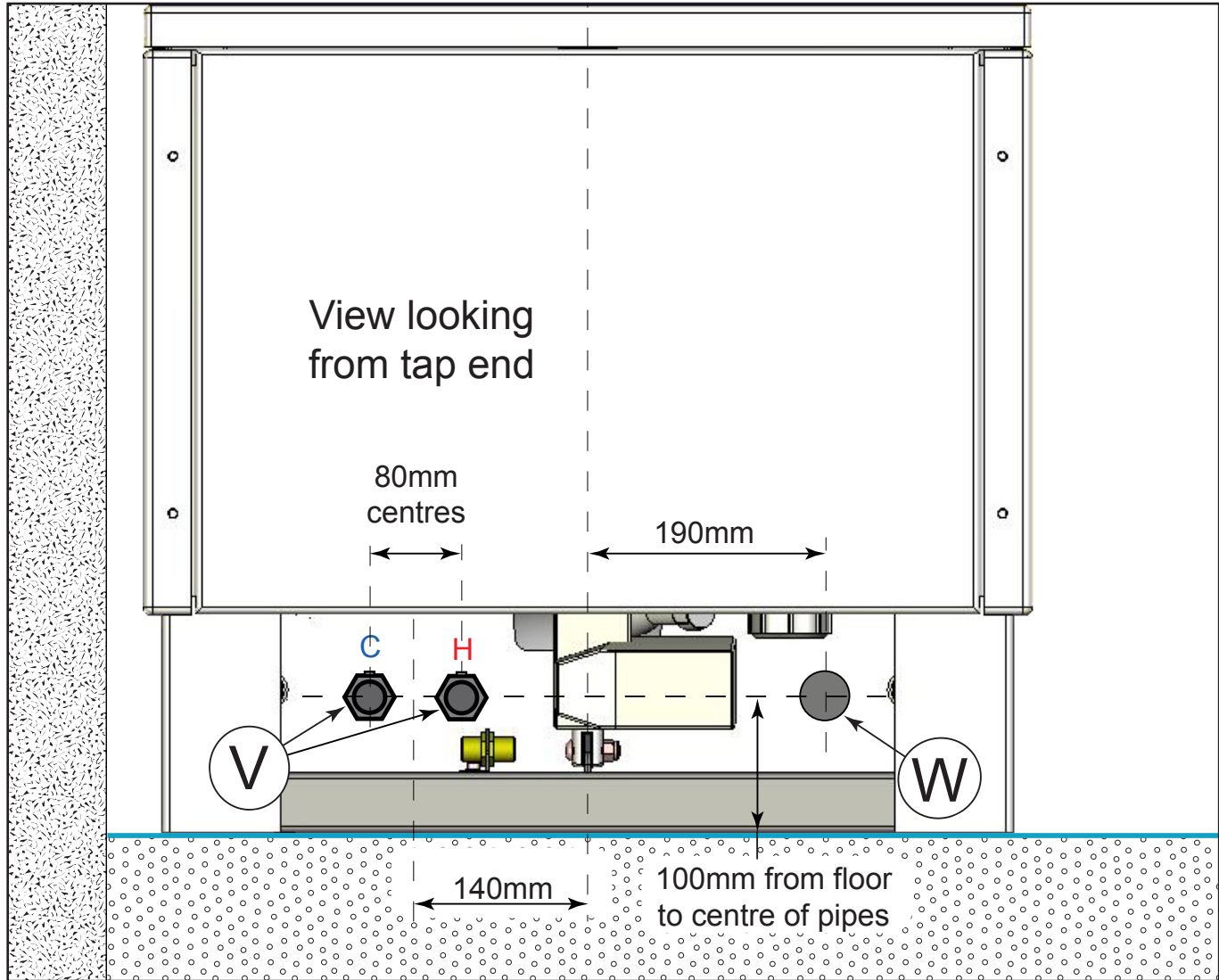
# Plumbing Options

Figs 3 & 4 show the positions for the supply pipes and the waste pipe.

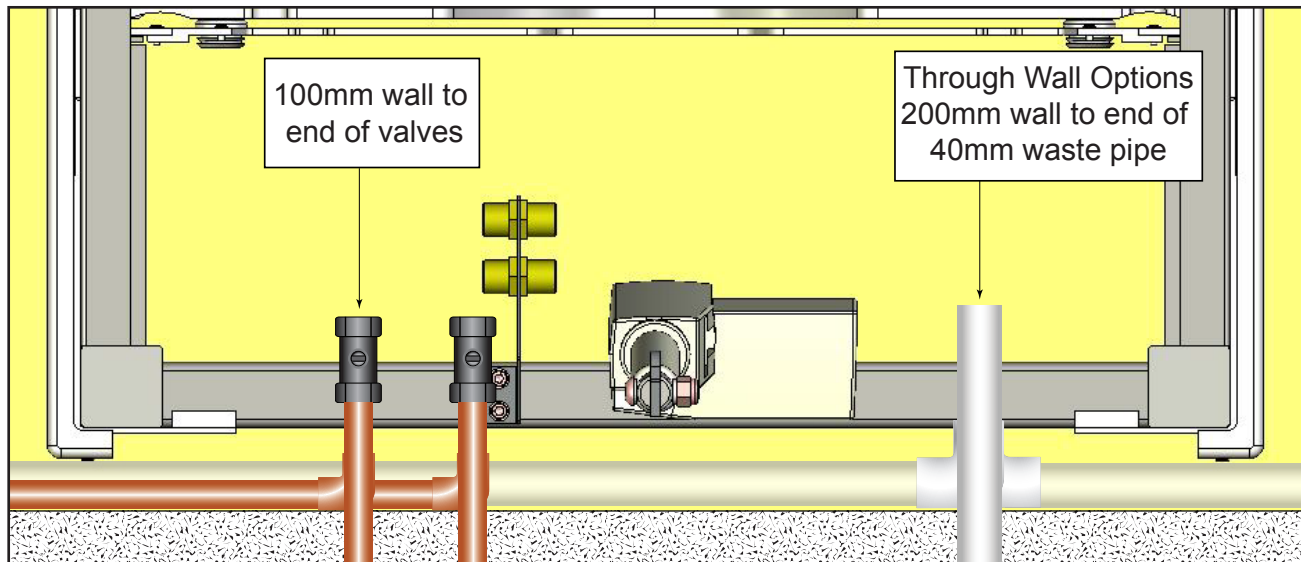
These services must be at the tap end of the bath.

22mm ball type isolation valves (V) should be positioned and orientated exactly as shown but can be fed through the wall (SW) or the floor (SF). See Fig 5. They can also be fed along the wall from either side but must be kept at low level and tight to the wall.

**Fig 3**



**Fig 4**



## Plumbing Options Continued.

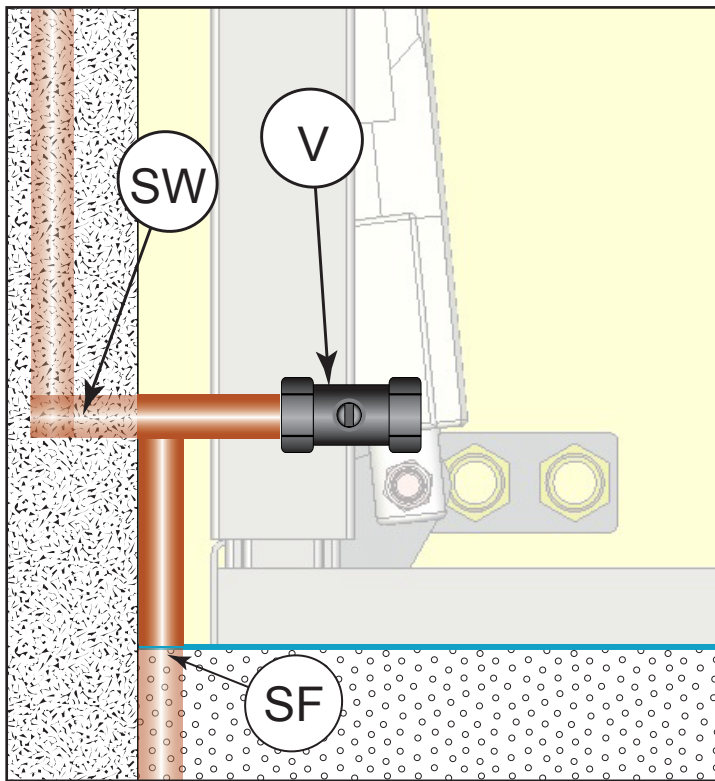
Fig 5 & 6.

If the water service pipes need to be fitted along the wall from a side wall they need to be kept tight against the wall.

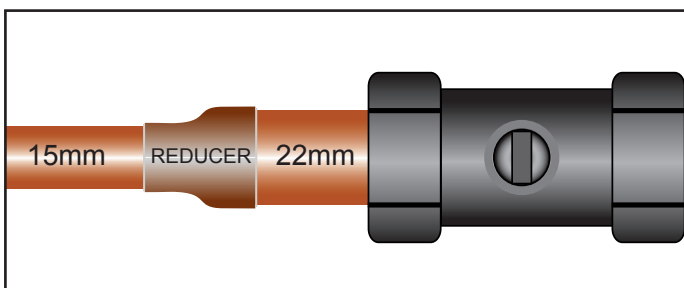
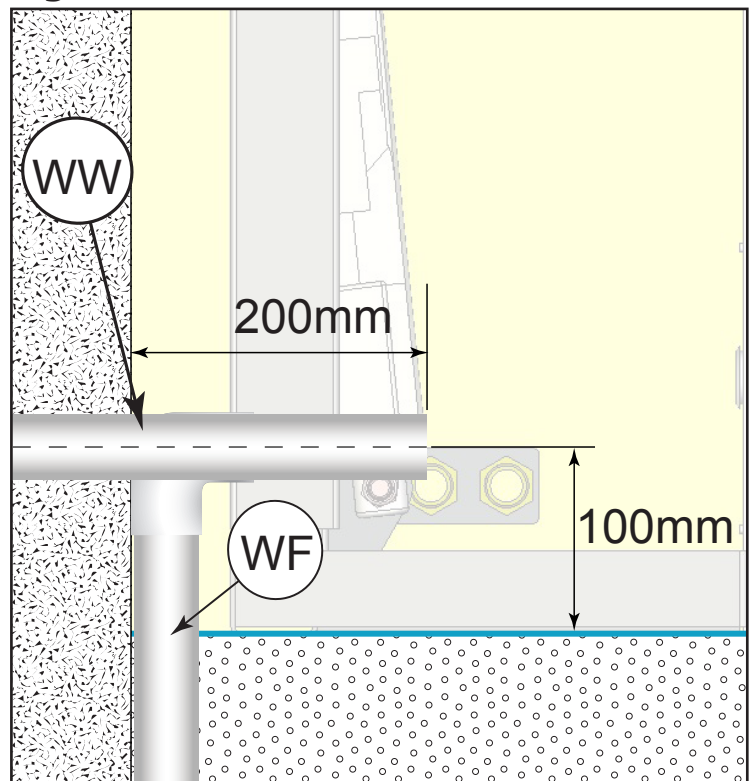
If the waste is to be fed along the the wall from a side wall it must be kept tight to the wall and be positioned as shown.

The 40mm waste pipe can be fed through the wall (WW) as shown and cut to the length indicated. It can also be fed through the floor (WF) but must be kept tight to the wall and terminate horizontally in the position shown for (WW).

**Fig 5**



**Fig 6**



**Note: If the site piping is 15mm then this should be expanded to 22mm piping at the valve end to accommodate the valves.**

## Tap Options

The Rio bath can be supplied with various tap/mixer sets.

The minimum water pressure on each supply must be 1 bar or above, Maximum of 10 bar with a differential of no more than 5 bar.

**Note:**

**If the bath is fitted with Low Level Taps then the supply pressures must be equal and with a minimum 1 bar.**

# Electrical Connection.

Fig 7 & 8

The bath requires a 1 off 230 volt, 1.25 kW, waterproof flex outlet, located at either end of the bath in either of the positions shown. Supplied from a protected fused spur.

Fig 7

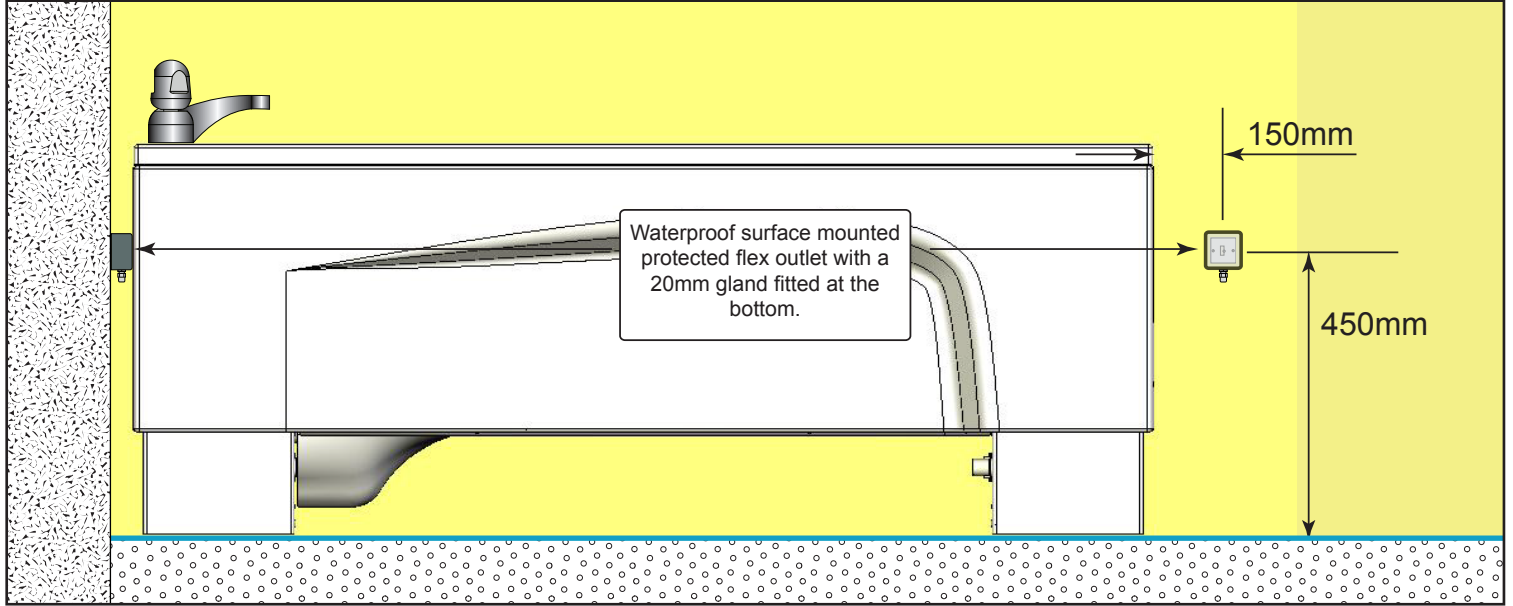
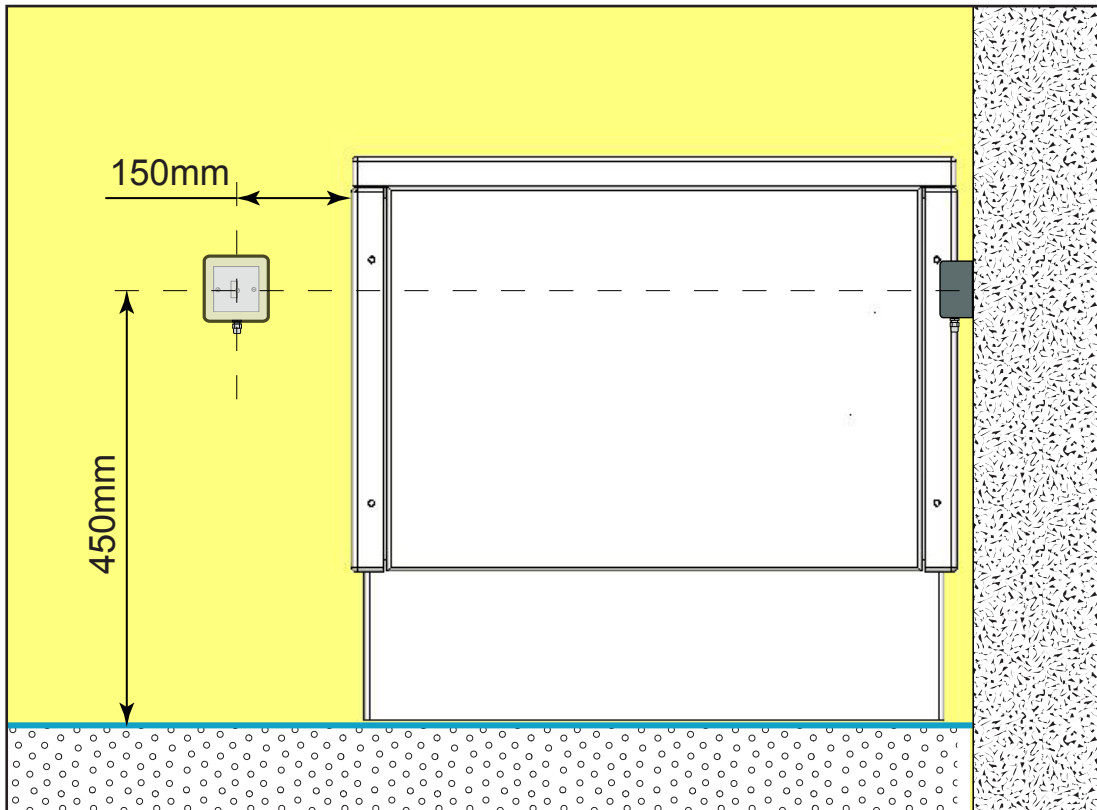


Fig 8



# Technical Information.

## Electrics

A.C. Input 220 - 240V~, 50/60Hz, 1.25 kW Maximum.

DC Output, 24v, 8 Amps.

## Safe Working Load

280 Kilograms

## Test Load

325 Kilograms

## Length

1695mm.

1775mm required to provide minimum clearance.

## Width

755mm

835mm required to provide minimum clearance.

## Height Range

700mm Minimum

1000mm Maximum.

## Bath Water Capacity

200 litres to overflow.

## Water Pressures

A Minimum of 1 bar is required on both Hot and Cold water supplies.

Maximum 10 bar.

Maximum differential between Hot and Cold 5:1.

**If the bath is to be fitted with Low Level Taps (LLt) the Hot and Cold supply pressures must be equal and a minimum of 1 bar, maximum 5 bar.**



Unit 11f, Coln Park

Andoversford

Gloucestershire

GL54 4HJ

Tel 01242-820820 Fax01242-821110

e mail: [sales@astorbannerman.co.uk](mailto:sales@astorbannerman.co.uk)

VAT Reg No. 630609068