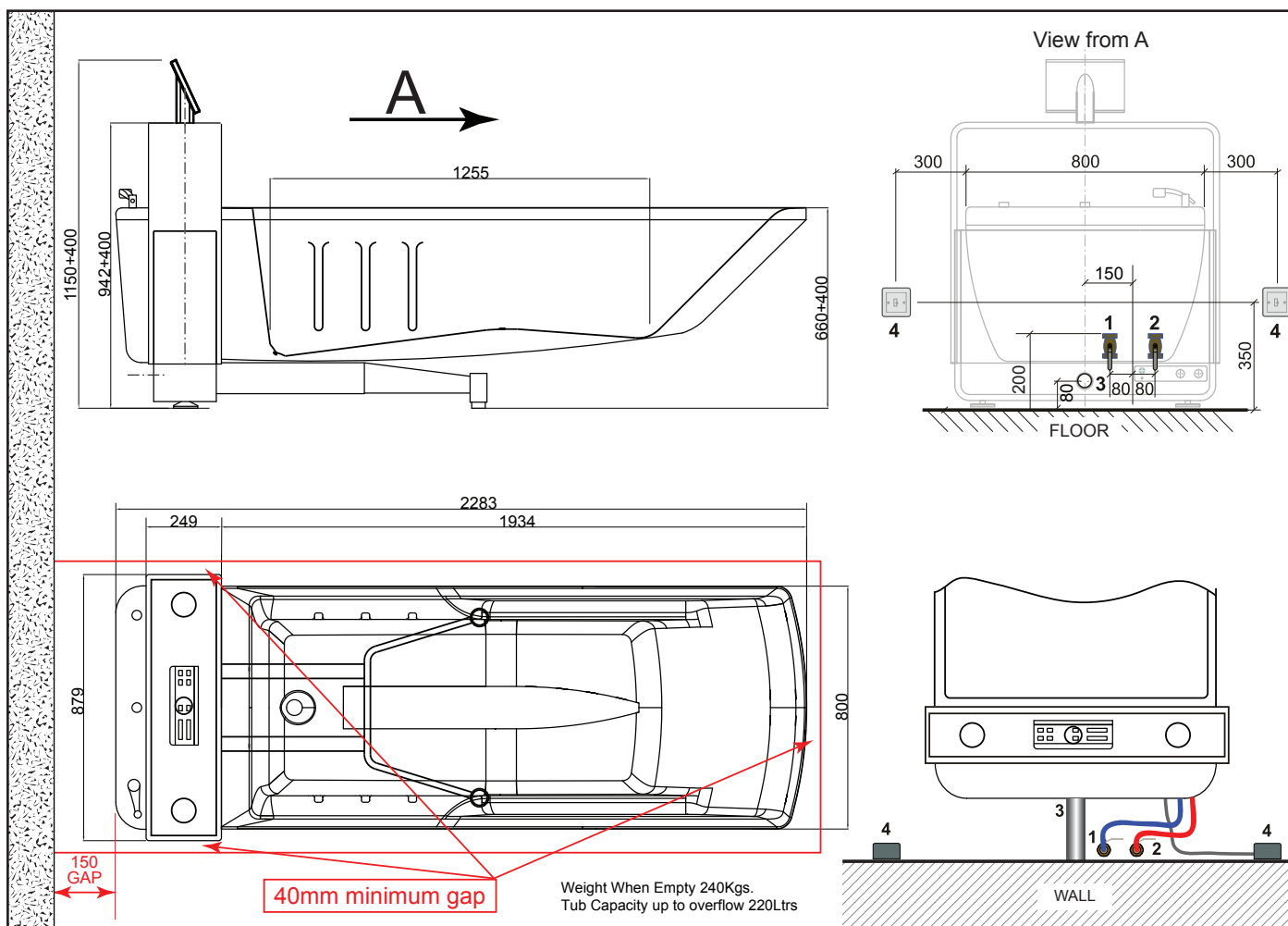


Phoenix 190 Height Adjustable Bath Pre installation requirements



All wall and floor decoration must be complete prior to installation.

Plumbing

We require Hot and cold ball type isolation valves (22mm) fixed in positions (1 & 2) shown above. The valves should be parallel to the wall and pointing upwards with the top of the valves 200mm from the floor. The pipes can be fed through the floor or wall, or along the wall from either side.

A 40mm waste is required in position (3) on the centreline of the bath at a max. height of 80mm from the floor. No obstructions can be laid in the area around the support frame.

Thermostatic Taps require a minimum dynamic water pressure of 0.5 bar (7psi) and a maximum of 5 bar. The pressure ratio between hot and cold must be equal.

Electrics

A 230 volt, 1.8kW waterproof flex outlet, located in position (4) (Left or Right side is acceptable), supplied by a protected fused spur is required.

Fixing

The Phoenix bath is free standing. Floors must be strong enough to support the weight of the bath. Walls need to be plumb, flat and clear of obstructions from floor level to 1600mm. Skirting boards may be left in place. The wall decoration must be complete.

Astor Bannerman (Medical) Ltd. Fax: 01242 821110
Unit 11f Coln Park Email:sales@astorbannerman.co.uk
Andoversford Web:www.astorbannerman.co.uk
Gloucestershire GL54 4HJ Tel.: 01242 820820

Form 09W V01 261110

**Phoenix 190
Height Adjustable Bath
Pre installation checksheet**



Please read and check the sections below before ticking each box

THIS SHEET MUST BE COMPLETED AND RETURNED BEFORE INSTALLATION

Plumbing

1. Hot and cold supplies are installed in positions (1 & 2) terminating in 22mm ball type isolation valves fitted at a height of 200mm from the floor to the top of the valves.

2. A 40mm waste is installed as shown overleaf at a height of 80mm from the floor and on the centreline of the bath.

Electrics

1. A 230 Volt 1.8kW waterproof flex outlet, located as shown overleaf, supplied from protected fused spur is installed and operational.
Please identify location.....

2. We are willing to have the Astor-Bannerman installer run flex encased in surface conduit from the site of the flex outlet to the bath.

Floor

1. The floor is finished, free of obstructions around the base area.

2. The floor is of concrete/wooden construction (delete as appropriate).

3. Is there under-floor heating in the area of proposed installation? YES NO
IF YES PLEASE CONTACT ASTOR BANNERMAN

Walls

1. Walls are plumb, flat and clear of obstructions up to a height of 1600mm above the floor.

2. The wall decoration is complete.

Access

1. The unit is not required to be installed upstairs/through difficult access.
Or

2. The unit is required to be installed upstairs/through difficult access but necessary arrangements have been made to assist the Astor-Bannerman engineer.

3. The bath will be used as part of A: single user environment B: a multi user environment

Important

We confirm that 230 Volt mains power supply (not temporary supply), hot and cold water supplies and waste pipe will be connected and operational BEFORE the Astor-Bannerman engineer visits.

This last box must be ticked before we are able to release the goods for installation

We understand that any waiting time will be charged to us and should the site require a second visit due to the above requirements not being met an additional £845.00 per visit will be charged and we agree to pay those charges.

Signed Date
Print name Job number
Site address