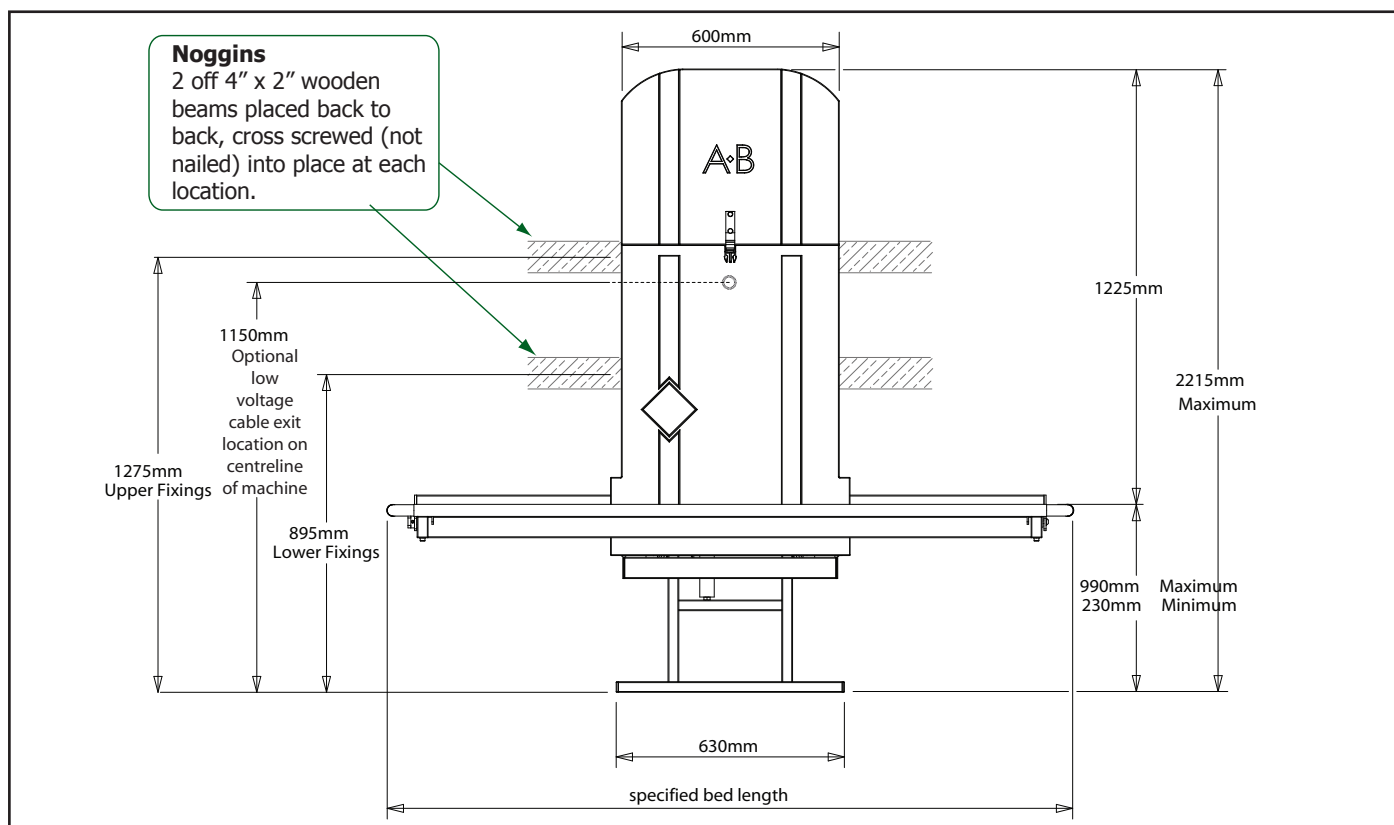


CT160/170/180/190 Pre installation requirements



All wall and floor decoration must be complete prior to installation.

Electrics

A protected, 3 amp fused spur with a flex outlet cover must be provided within 3 metres of the unit. A transformer is connected to this outlet to provide a low volt supply to the changing table.

This transformer is not suitable for a wet room and therefore the fused spur MUST be mounted outside the room or in a false ceiling or loft space above.

If a hidden connection is preferred a low voltage cable with insulated connector (available on request) can be chased into the wall prior to installation (see drawing above). 200mm of the cable and the connector must be left projecting from the wall, on the centreline of the unit and 1150mm above the floor.

If this option is **NOT** chosen, Astor Bannerman will connect at floor level, passing the cable through surface mounted conduit to the transformer.

Fixing

The changing table fixes to both the wall and the floor.

The wall must be load bearing and strong enough to bear a load of 100 kgs on each of the wall fixings.

The wall must be flat and free from obstructions from floor level to 2215mm above the floor./

There should be a minimum clearance of 40mm at each end of the bed.

If the changing table is to be mounted on a stud wall it will need special reinforcement, either

1. Noggins fixed into the wall as shown.
2. 25mm (MINIMUM) marine or exterior plywood, secured every 200mm, should be used to cover the entire area 2200mm high and as long as the specified bed length, equal about the centreline. It must be in contact with and supported by the floor.

This unit CANNOT be fitted to metal frame or similar type stud wall unless it has been fully reinforced with timber struts that are secured top and bottom and then reinforced with noggins or 25mm plywood fitted as per our specification.

CT160/170/180/190 Pre installation checksheet



Please read and check the sections below before ticking each box

THIS SHEET MUST BE COMPLETED AND RETURNED BEFORE INSTALLATION CAN TAKE PLACE

Wall

The wall is LOAD BEARING and free of obstructions from floor level to a height of 2215mm.

OR

The wall is a stud wall, but strengthened to Astor Bannerman specification and free from obstructions from floor level to a height of 2215mm.

Floor

1. The floor is finished ready for the unit to be fixed to the floor.

2. The floor is of concrete/wooden construction (delete as appropriate)

3. Is there under-floor heating in the area of the proposed installation? YES NO

IF YES PLEASE CONTACT ASTOR BANNERMAN

Electrics

1. A protected fused spur with flex outlet is fitted and operational as per our specification. (Maximum length of flex to unit is 3 metres) to enable floor level connection through surface mounted conduit.

OR

2. A low voltage electric cable with connector is chased into the wall and a protected fused spur is located within 1 metre of the end of the cable.

Access

1. The unit is not required to be installed upstairs/through difficult access.

Or

2. The unit is required to be installed upstairs/through difficult access but necessary arrangements have been made to assist the Astor-Bannerman engineer.

Important

We confirm that a 230 Volt mains power supply (not temporary supply) will be connected and operational BEFORE the Astor-Bannerman engineer visits.

Please contact Astor bannerman if you are ordering an optional water tray as there are additional requirements.

This last box must be ticked before we are able to release the goods for installation

We understand that any waiting time will be charged to us and should the site require a second visit due to the above requirements not being met an additional £499.00 per visit will be charged and we agree to pay those charges.

Signed Date

Print name Job number

Site address

.....