

**PRE-INSTALLATION REQUIREMENTS
WN WALL-MOUNTED NEATFOLD**



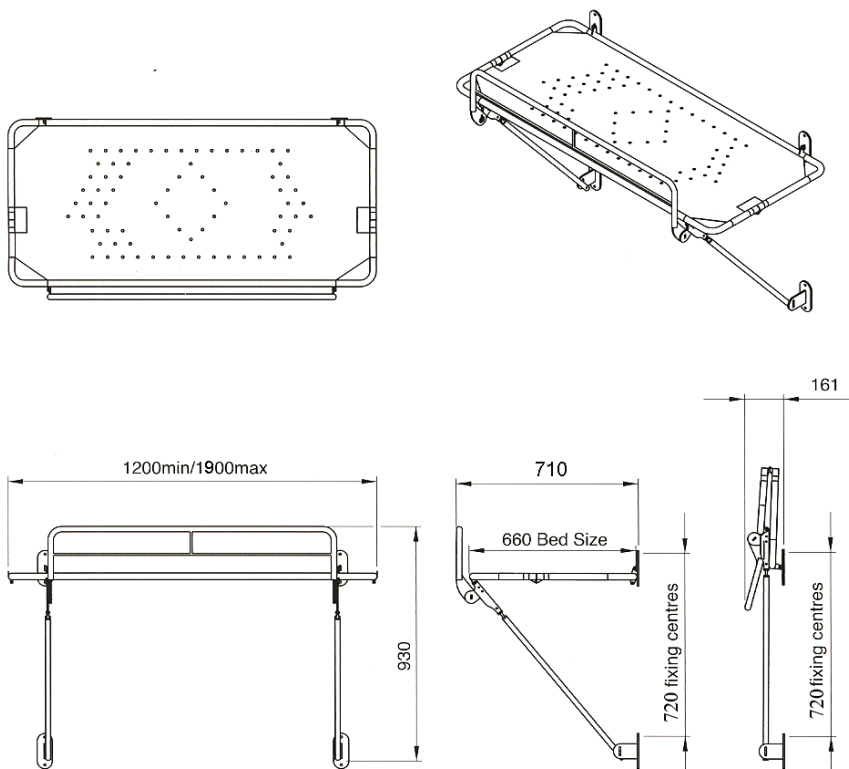
The stretcher can be fixed at a convenient height, typically between 800mm-1100mm

The attachment brackets should be fixed to a solid load-bearing wall (ie. strong enough to carry a 100kg load on each fixing). If the stretcher must be fitted to a stud wall, the wall will need special reinforcement, using horizontal noggins screwed, not nailed, into place. Specification is available from Astor-Bannerman upon request. The wall should be flat and free from obstruction from the fitted position of the stretcher to a point 400mm above the surface of the stretcher

Dimensions

Length: 1200mm - 1900mm
 Width: 718mm
 Height: 930mm
 (with optional guard)
 Weight capacity: 130kg

*All dimensions are provided
in millimetres*



Astor bannerman (Medical) Limited
 Unit 11f, Coln Park
 Andoversford
 Gloucestershire, GL54 4HJ

Tel: 01242 820820
 Fax: 01242 821110
 Email: sales@astorbannerman.co.uk
 Web: www.astorbannerman.co.uk