

IMPORTANT NOTICE

This document **MUST** be forwarded to your architect or building contractor to ensure that the site is prepared correctly as any mistakes could be extremely costly.



Pre-Installation Document

CT2 Range



General Site Requirements.

The wall decoration and floor covering must be complete and finished.

Positioning the unit.

The site wall area of the unit must be FLAT, PLUMB and clear of any obstacles up to height of 2320mm and for a width of half the table length plus 55mm either side of the centreline of the spine.

Fig 1

If the unit is to be installed in an alcove or into a corner the side wall/walls will also have to be clear for a height of 1650mm.

The stretcher must clear any side walls, fixtures, handrails or appliances by 55mm (shown by X) at the sides and by 300mm minimum (600mm recommended) at the front.

All fitting dimensions are calculated from the centreline of the spine.

The centreline position is calculated by taking the Stretcher size e.g. CT2150 (the 150 being the table length in centimeters) dividing this by 2 = 75 centimeters and then adding the required minimum clearance of 55mm, giving a centre position of 805mm. This distance would be the minimum required distance either side of the centreline to a wall or any toilets, sinks, handrails, shower units or radiators, etc.

Fig 1

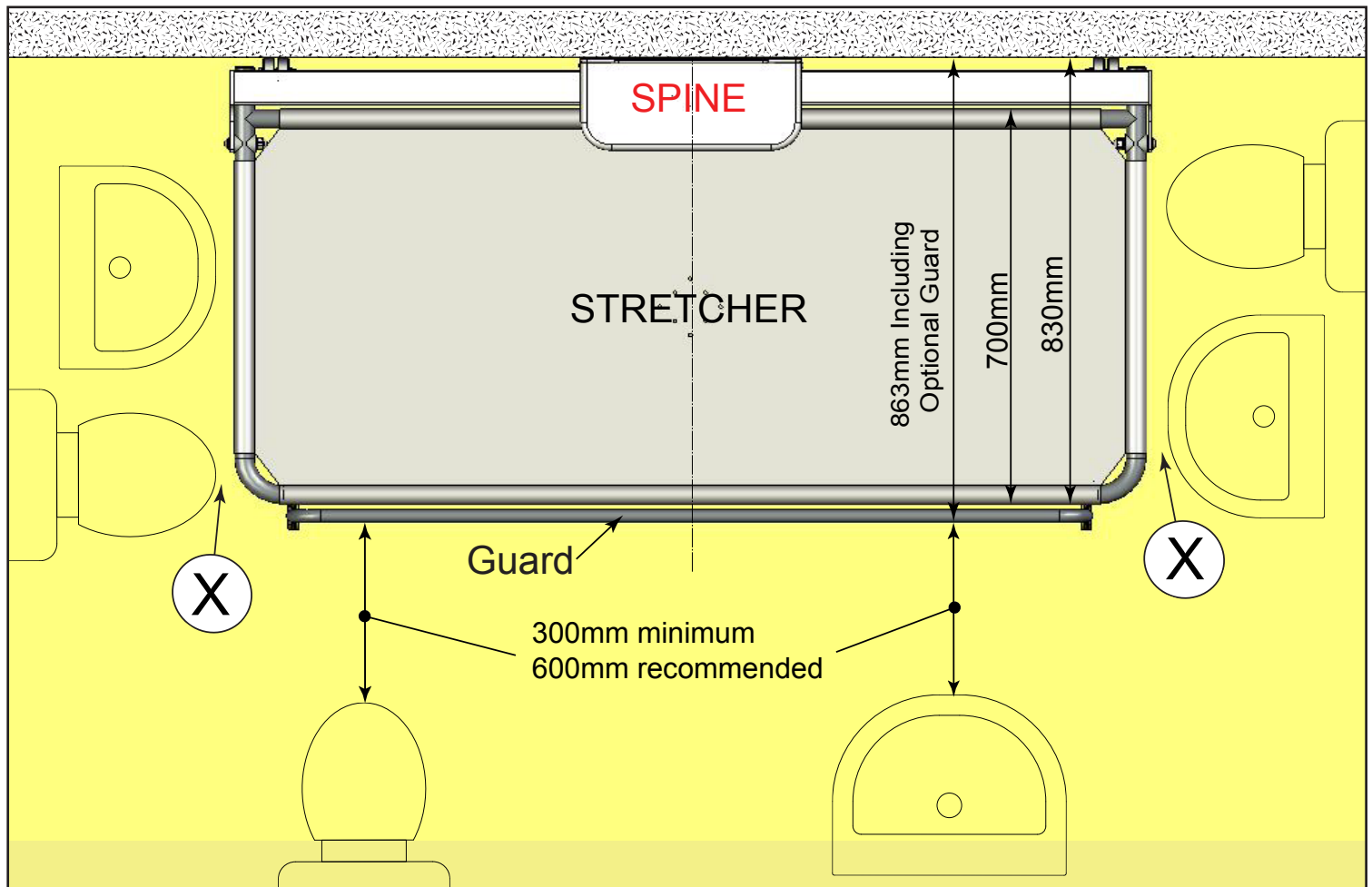
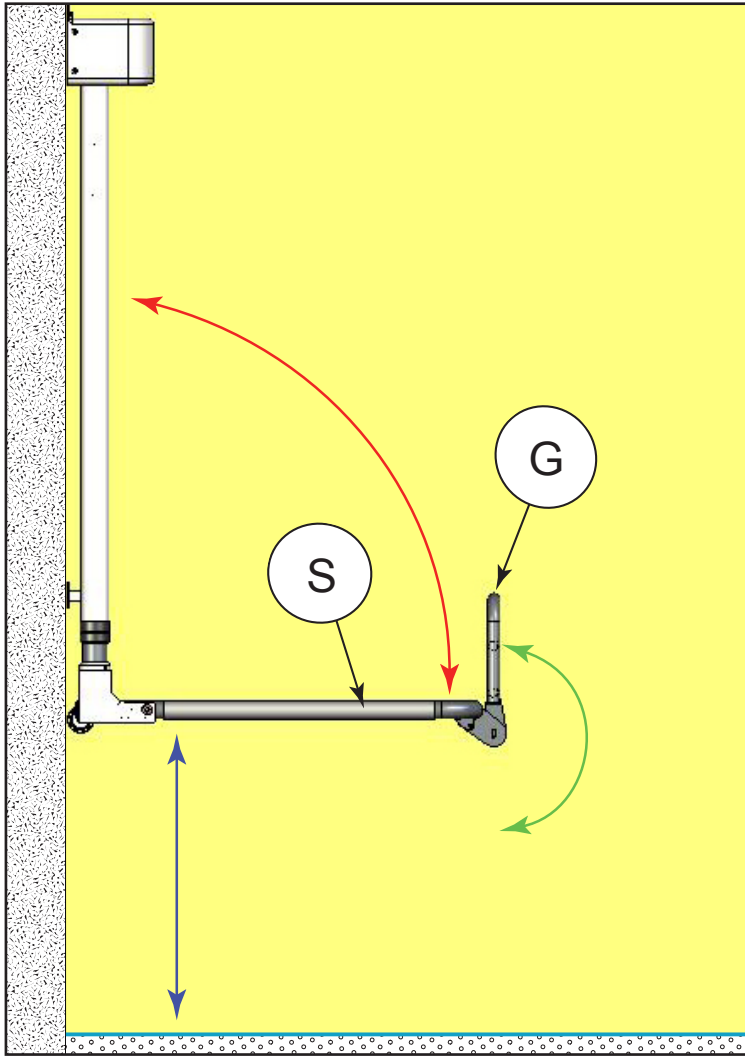
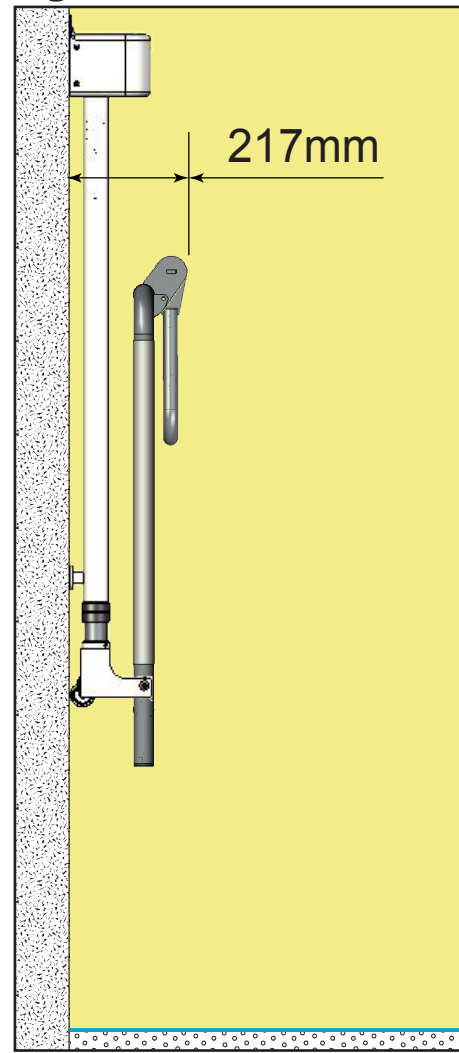
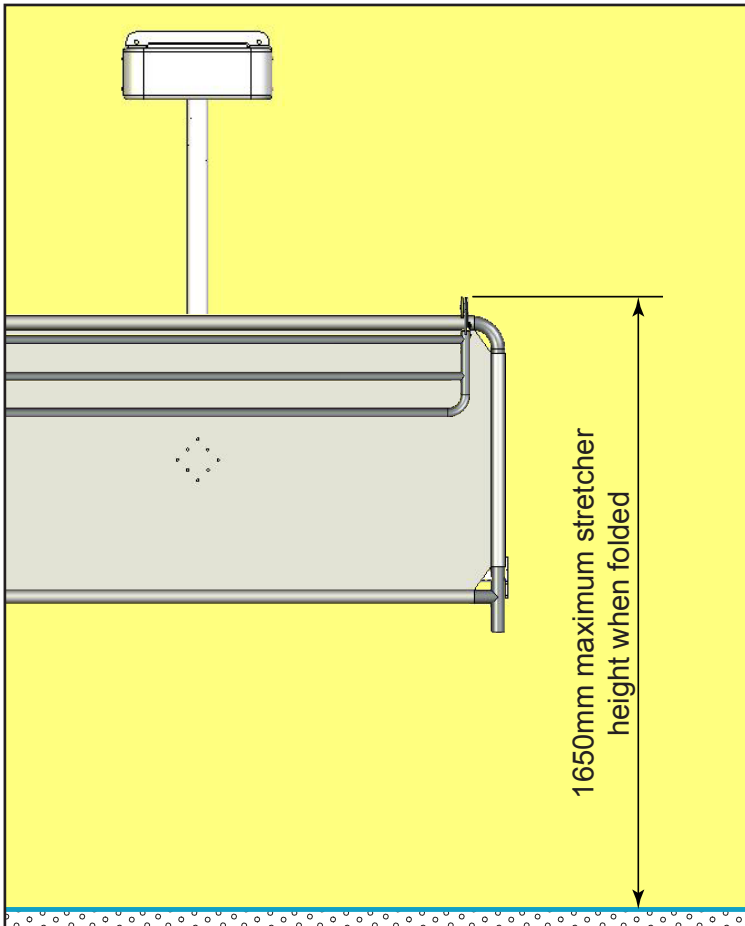


Fig 2**Fig 3****Fig 4****Fig 2**

Shows that the Stretcher (S) moves up and down vertically (blue line) and that it also folds up to the spine (red line) for storage. It can fold for storage at any height position.

The Guard (G) swings from underneath the Stretcher (S) into the vertical position (green line) and locks into the position shown.

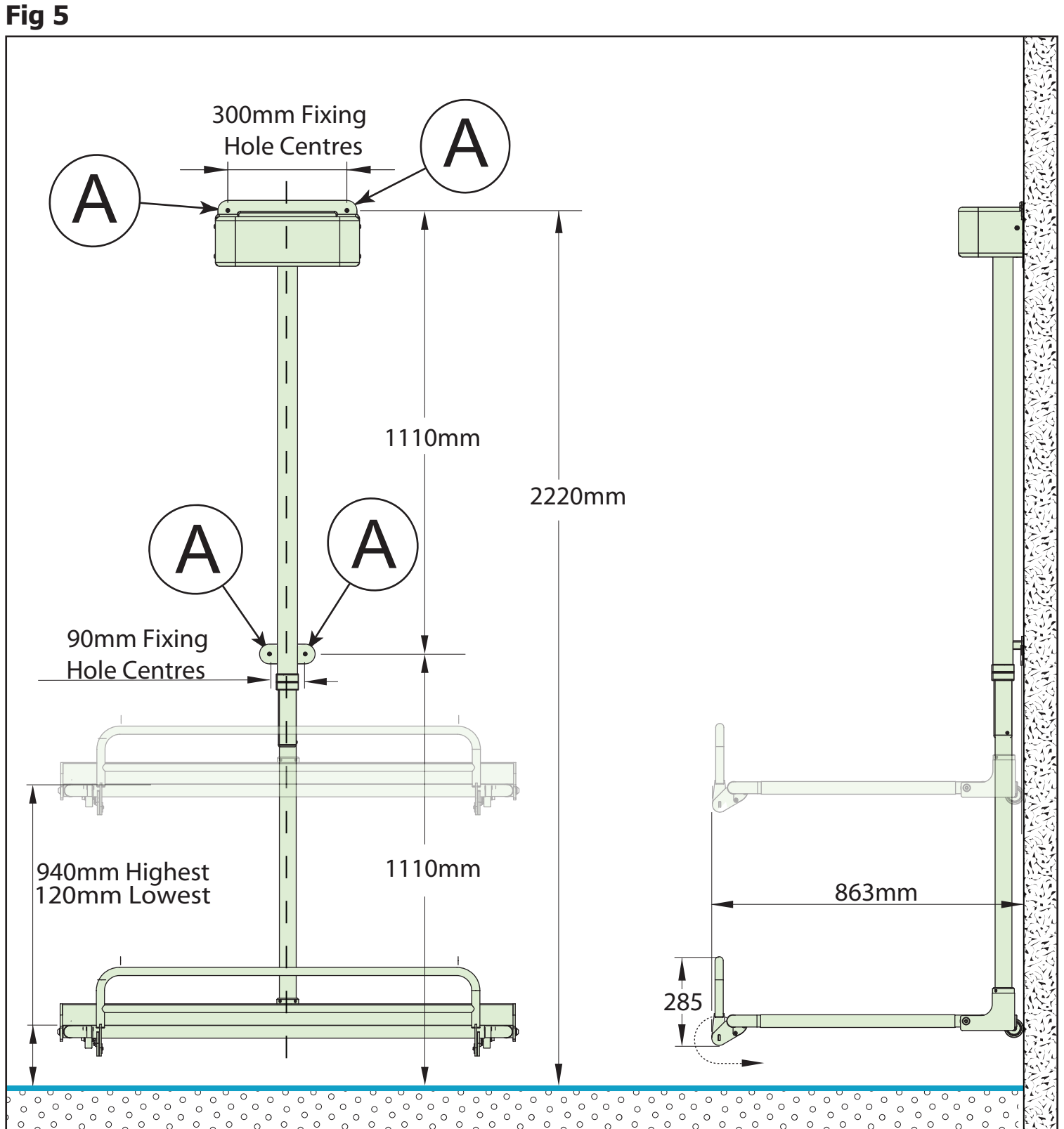
Fig 3 & 4

Shows the Stretcher in the folded position.

Fixing Requirements

The CT2 is fixed to and supported by the wall.

Fig 5
The wall to which the Spine is fitted should be load bearing, strong enough to carry a 100kg load on each of the wall fixings (A), flat, plumb and free from obstruction from floor level to 2320mm above the floor and a minimum of 80mm wider than the specified bed size.



Fused Spur Position

FIG 8

The CT2 requires a protected mains supply.

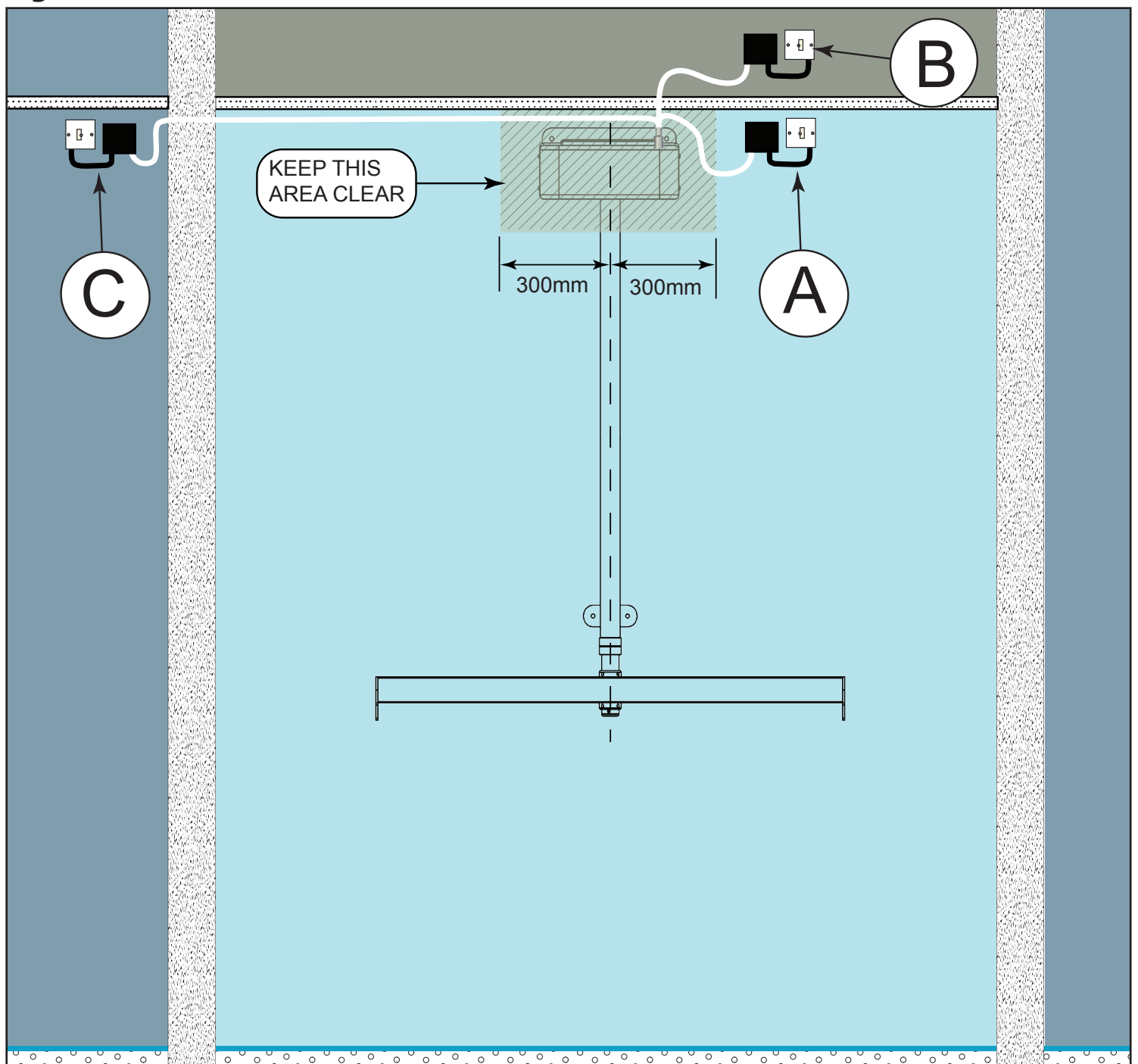
The transformer CANNOT be installed inside a wet room (e.g. shower room or bathroom)

A fused spur with a flex outlet can be positioned in several positions depending on site options available.

(A) is a normal position inside a NON-WET room. It should be between 2200mm and 2300mm from the floor and between 300mm and 1000mm to the right (recommended) or left of the spine centreline.

(B and C) are the optional positions when the unit is fitted into a wet room. The fused spur is positioned in an adjacent room (either side or behind) or into a ceiling void or loft area.

Fig 8

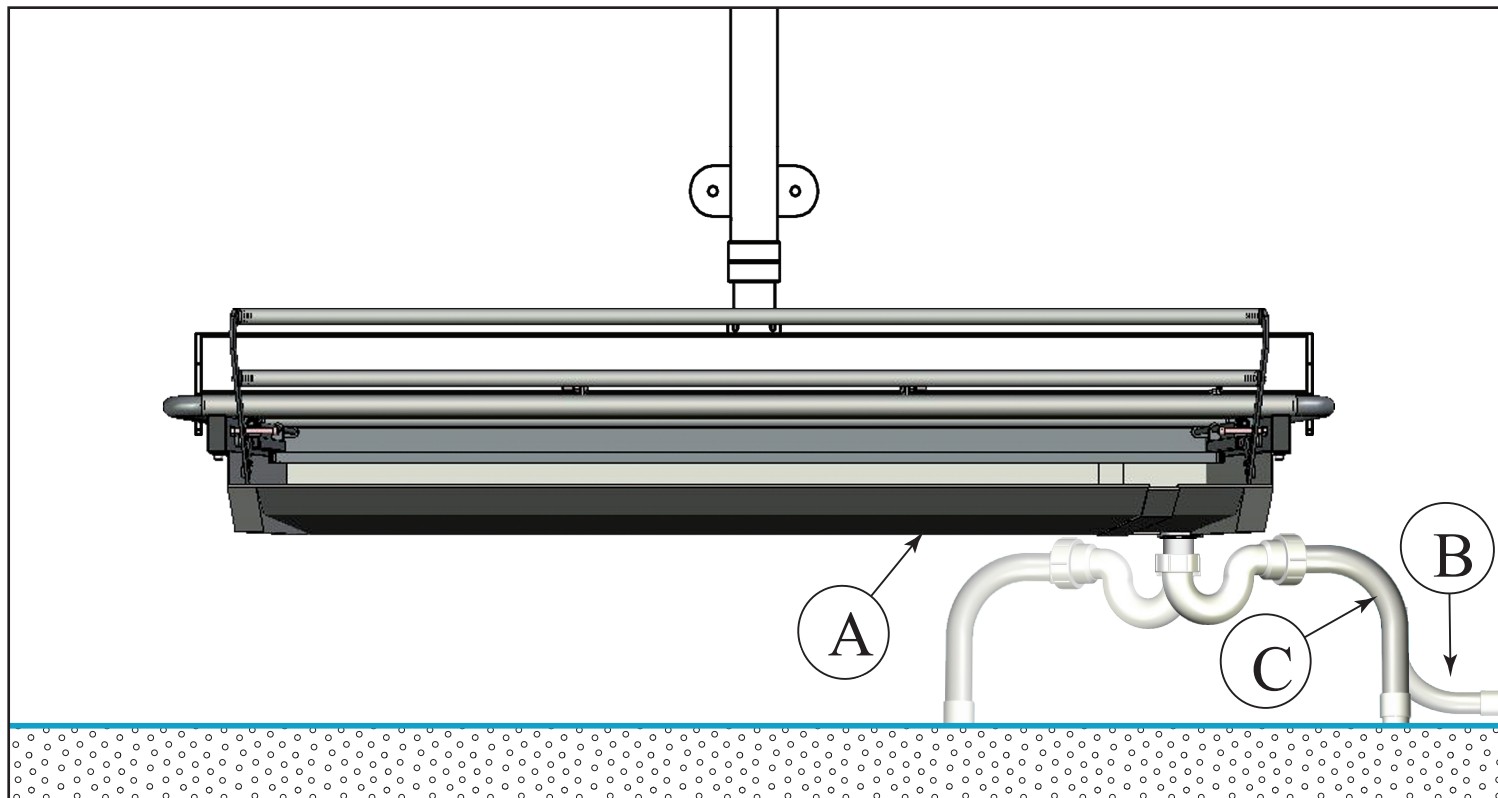


Optional Extras

Watertray

The stretcher can be fitted with a watertray (A). It has a P-trap and flexible waste hose attached to the right back corner of the underside of the tray that can be fixed to a waste/drain outlet (B) or positioned to allow the water to run into a gully (C).

We recommend that the fixed waste/drain is positioned to the right of the stretcher and within 150mm of the floor.



Technical Information

Electrics

A.C. Input 220-240V~ , 50/60Hz, 1.25kW.

D.C. Output 24v 8 Amps

Safe Working Load 105 kgs

Test Load 145 kgs

Length 1000mm to 1500mm

Width 863mm with guard

Height Range

120mm Lowest - Approx 940mm Highest - Approx

Machine Height From the floor to the top of the spine 2245mm

Technical Helpline - Direct Telephone Number - 01242 822972



Unit 11f, Coln Park

Andoversford

Gloucestershire

GL54 4HJ

Tel 01242-820820 Fax01242-821110

e mail: sales@astorbannerman.co.uk

VAT Reg No. 630609068