

IMPORTANT NOTICE

This document **MUST** be forwarded to your architect or building contractor to ensure that the site is prepared correctly as any mistakes could be extremely costly.



Pre-Installation Document

CT190 Range



General Site Requirements.

The wall decoration and floor covering must be complete and finished.

Positioning the unit.

The site wall area of the unit must be FLAT, PLUMB and clear of any obstacles up to height of 2215 mm. Ensure there are no underfloor heating pipes , etc, in the spine area as this unit has to be bolted to the floor.

Fig 1
If the unit is to be installed into an alcove or corner the side wall/walls will also have to be clear for a height of 1900mm.
The stretcher table must clear any side walls, fixtures, handrails or appliances by 40mm (shown by X) at the sides and by 300mm minimum (600mm recommended) at the front.

All fitting dimensions are calculated from the centreline of the Spine.
The centreline position is calculated by taking the Stretcher size e.g. CT180 (the 180 being the Stretcher length in centimeters) dividing this by 2 = 90 centimeters and then adding the required minimum clearance of 40mm, giving a centre position of 94cm. or 940mm (minimum). This distance would be the minimum required distance either side of the centreline to a wall or any toilets, sinks, handrails, shower units or radiators, etc.

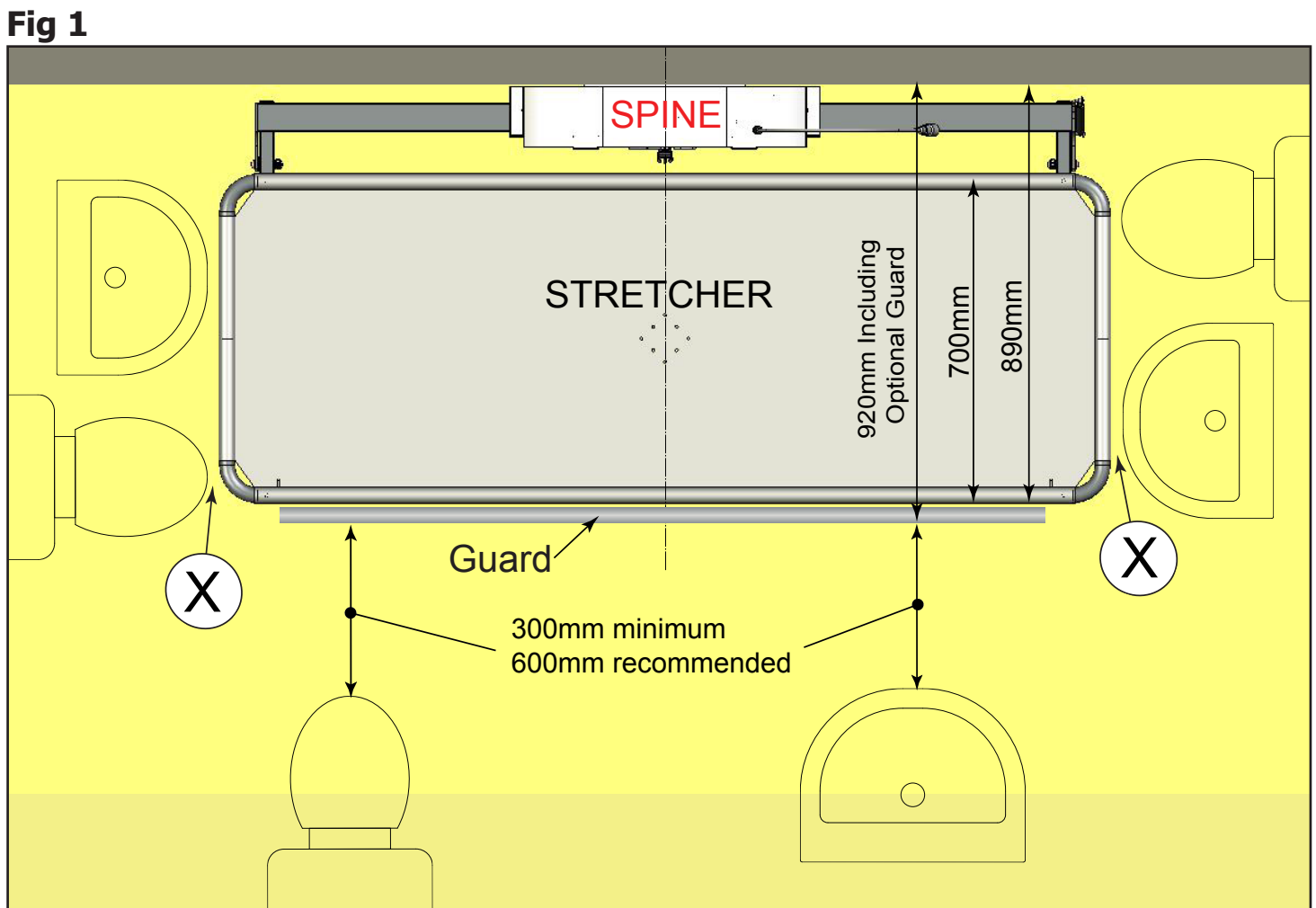


Fig 2

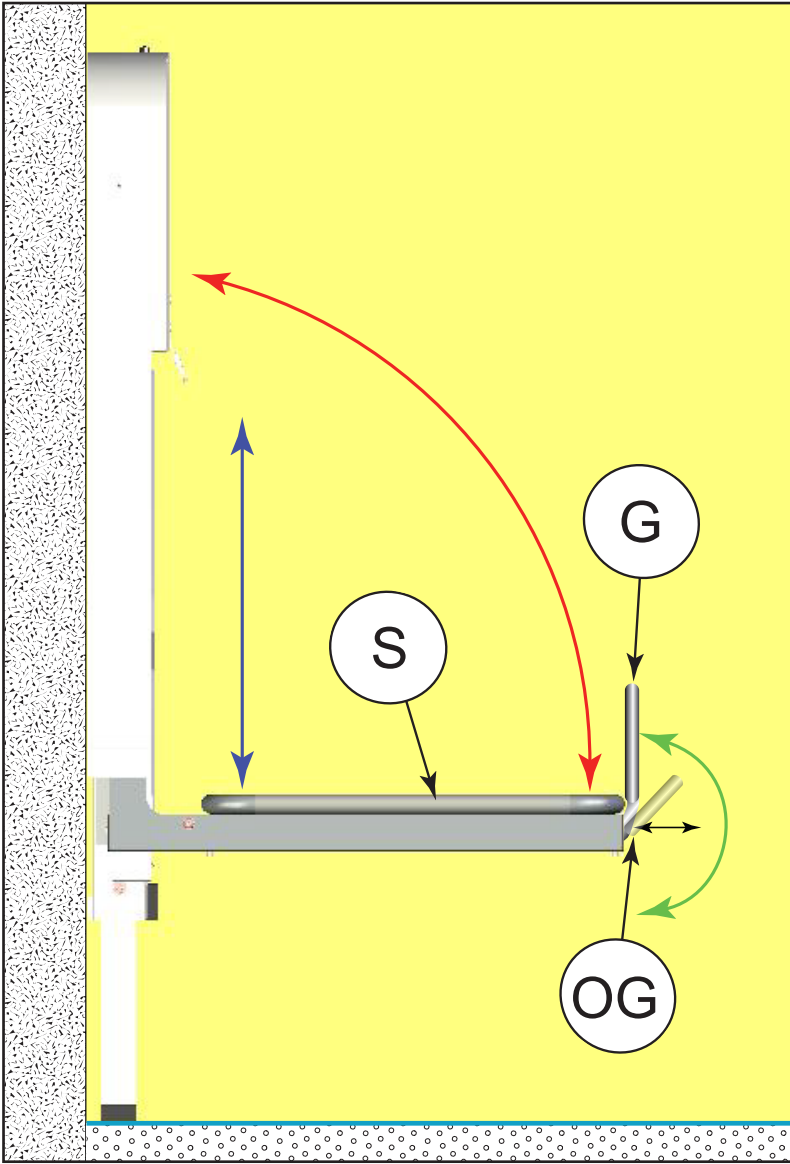


Fig 3

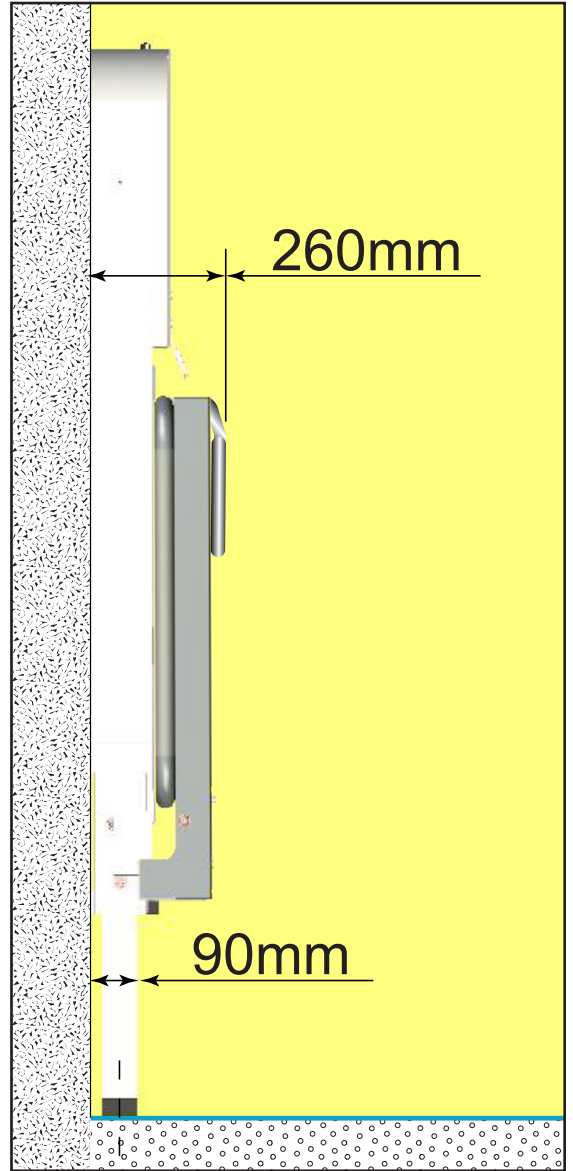


Fig 4

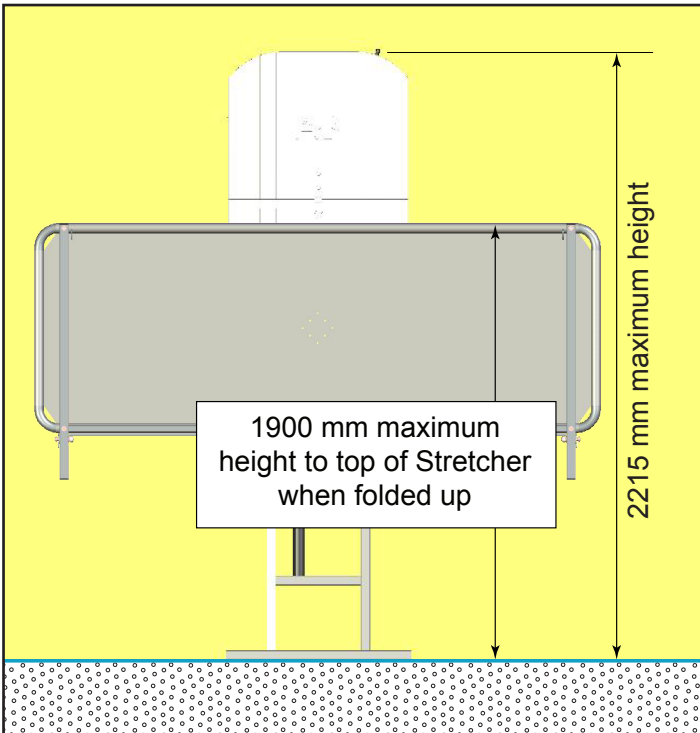


Fig 2

Shows that the Stretcher (S) moves up and down (blue line) and that it also folds up (red line) to the spine for storage. It can fold for storage at any height position. The guard (G) swings from underneath the Stretcher (S) into the vertical position (green line) and locks into the position shown. There is an optional Guard (OG) that slides in and out (black line) and folds into the position shown.

Fig 3 & 4

Shows the Stretcher in the folded position.

Fixing Requirements

The CT190 is fixed to the wall but also rests and is fixed to the floor.

Fig 5
The wall to which the Spine is fitted should be load bearing, strong enough to carry a 100kg load on each of the wall fixings (A), flat, plumb and free from obstruction from floor level to 2215mm above the floor and a minimum of 80mm wider than the specified Stretcher size. The Spine is bolted to the floor at positions (B) by 2 off M8 x 75mm bolts. therefore this area should be free of any pipework.

Fig 5

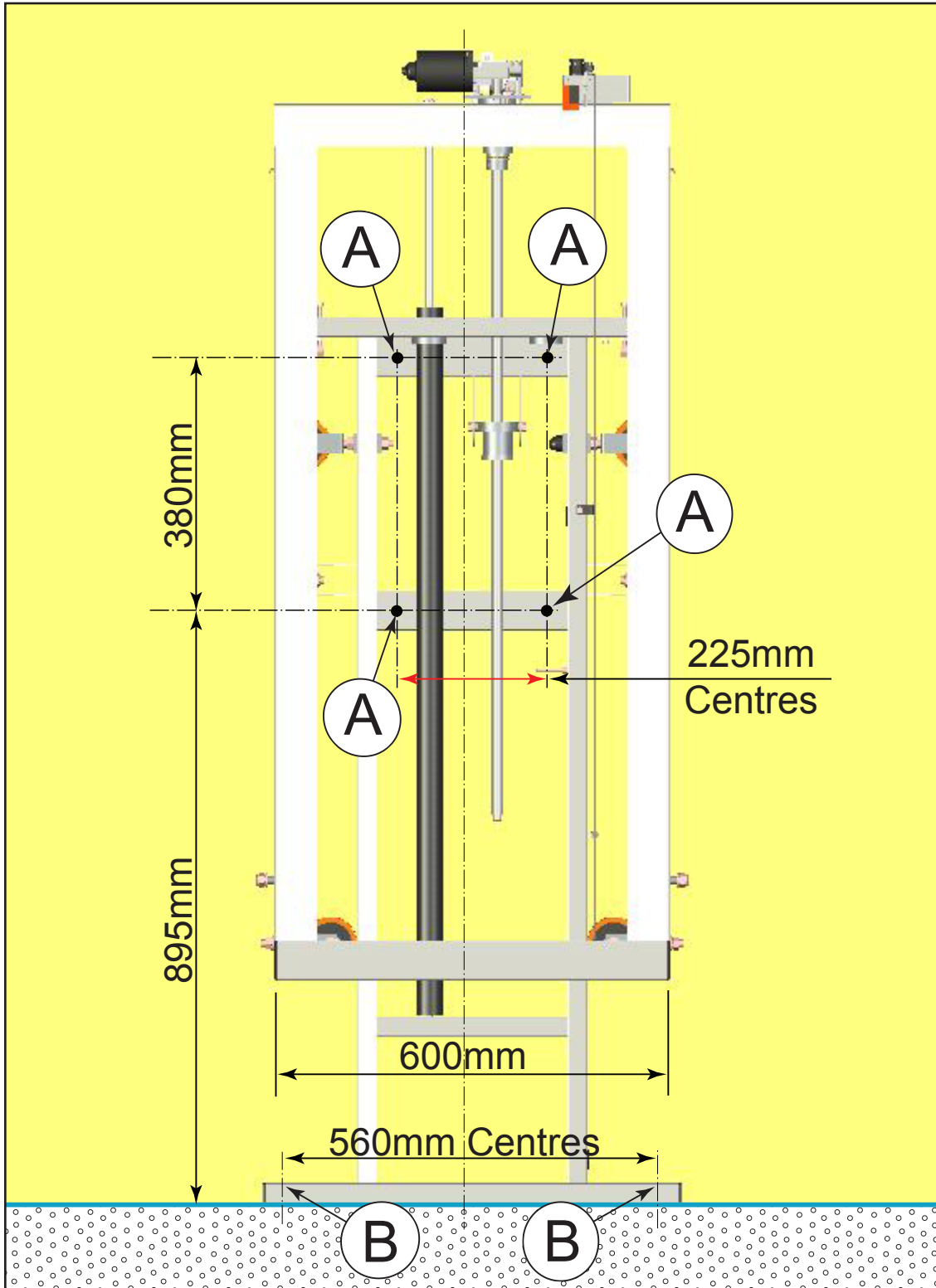


Fig 6 & 7

If the CT190 needs to be fitted to a stud wall, the wall will need special reinforcement; either noggins as shown in (Fig 6) or 25mm (1 inch) marine or exterior plywood, secured every 200mm (Fig 7).

Fig 6

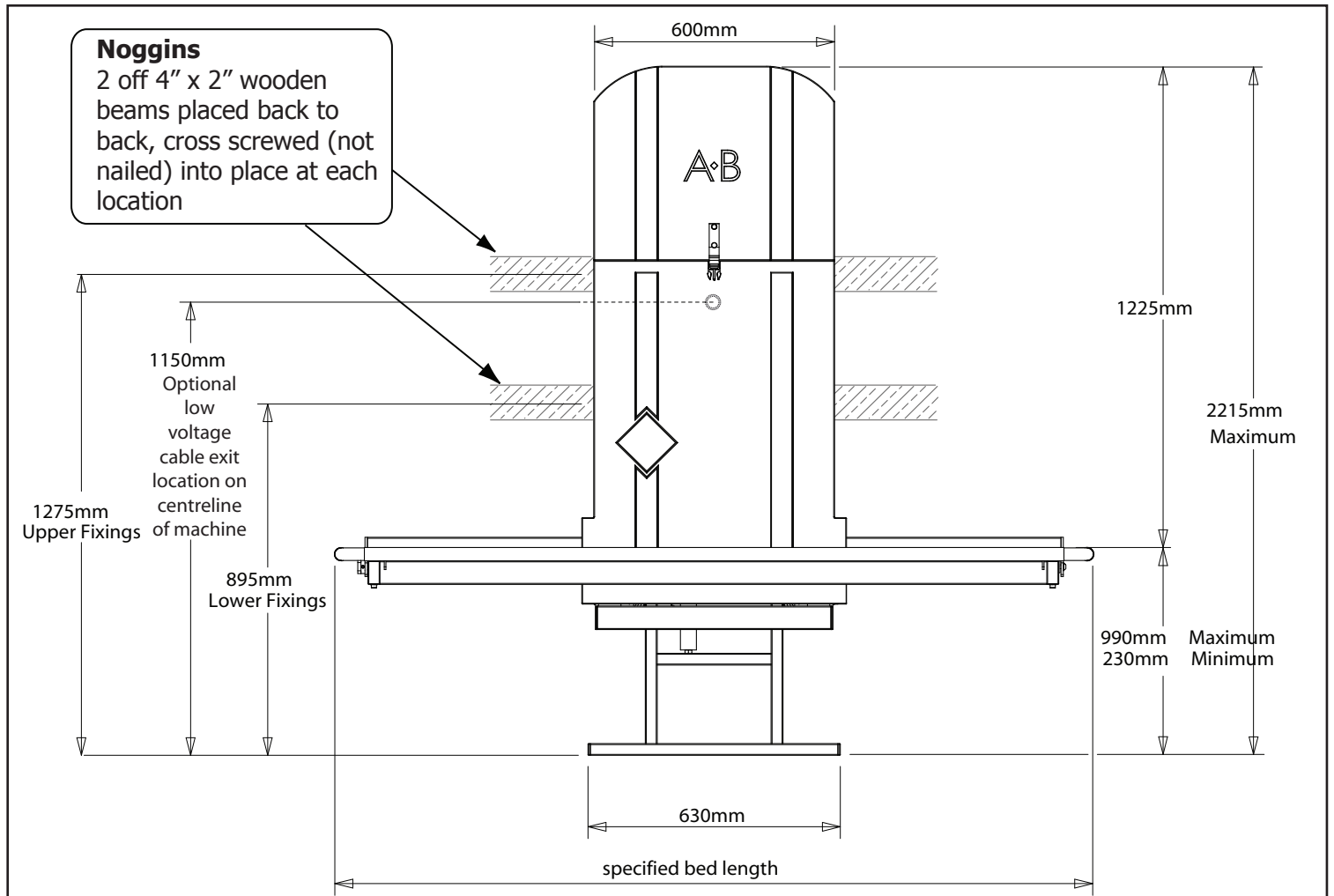
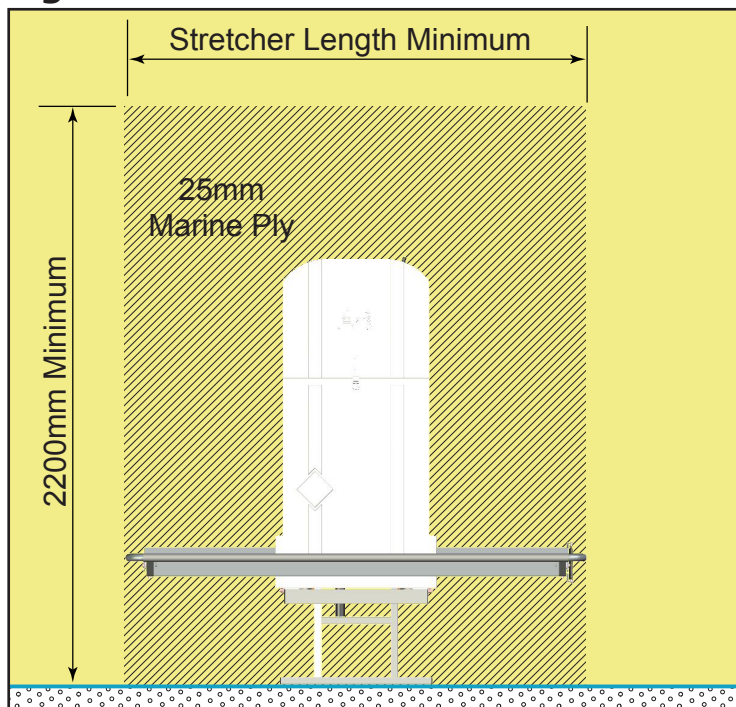


Fig 7



The plywood support must be in contact with, and supported by the floor.

NOTE

A CT190 Range CANNOT be fitted to metal frame or similar type stud wall unless it has been fully reinforced with timber struts that are secured at the top and bottom and noggins or 25mm plywood fitted as per our specification.

Fused Spur Position

FIG 8

The CT190 requires a protected mains supply.

The transformer CANNOT be installed inside a wet room (e.g. shower or bathroom)

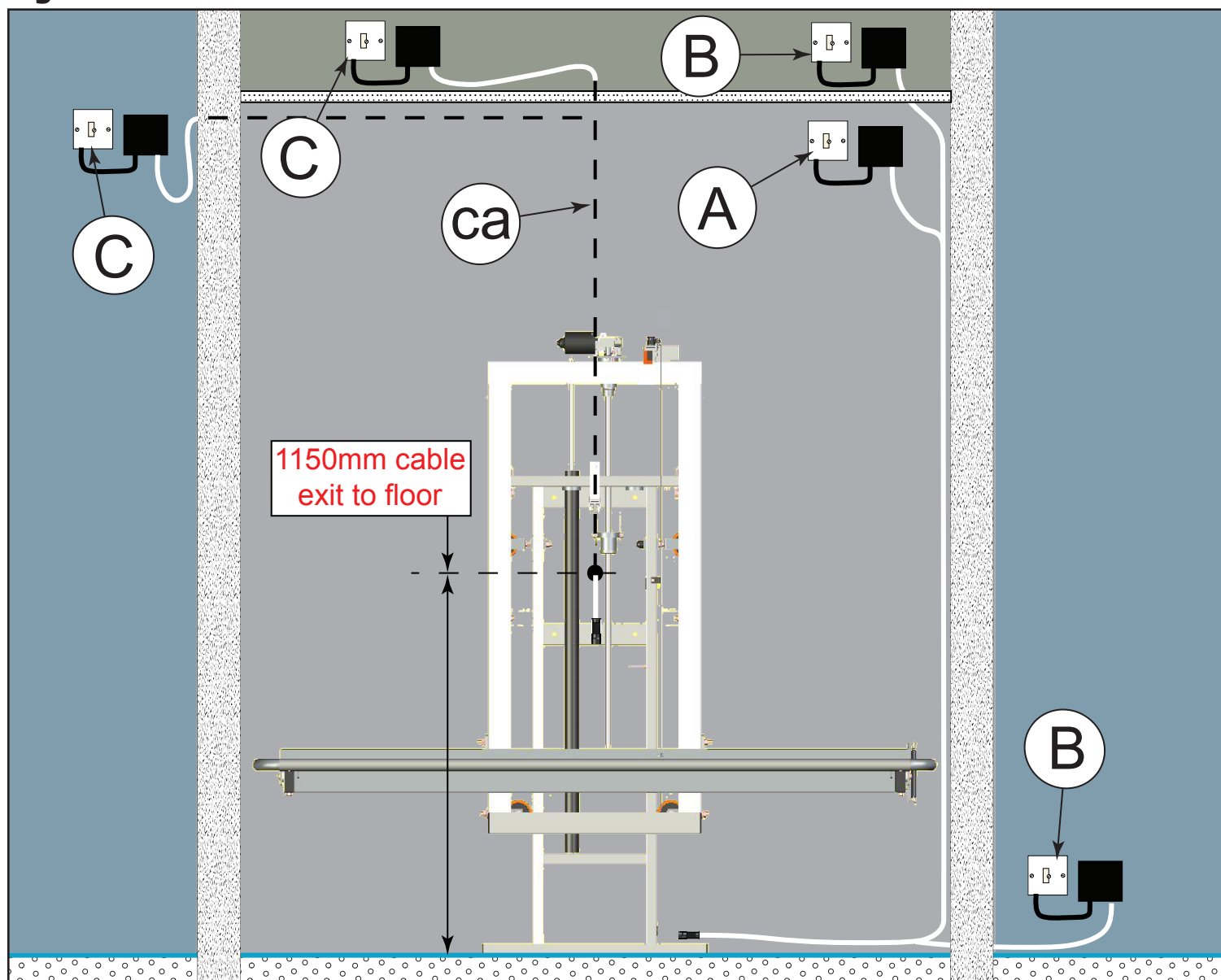
A fused spur with a flex outlet can be positioned in several positions depending on site options available.

(A) is a normal position inside a NON-WET room, the low-volt cable is enclosed in surface mounted trunking routed to the bottom of the Spine. It should be no more than 2300mm from the floor and between 350mm and 1000mm to the left or right of the spine centreline.

(B) are the optional positions when the unit is fitted into a wet room. The fused spur is positioned in an adjacent room or into a ceiling void or loft area.

(C) if possible it is ideal to conceal the low volt cable behind or inside the wall (ca). The spur can then be fitted in a suitable place (A,B or C). A 3 metre length of low volt cable can be supplied for this purpose. The end with the socket attached is the Spine end, the plain end is left near the fused spur for connection to the transformer.

Fig 8

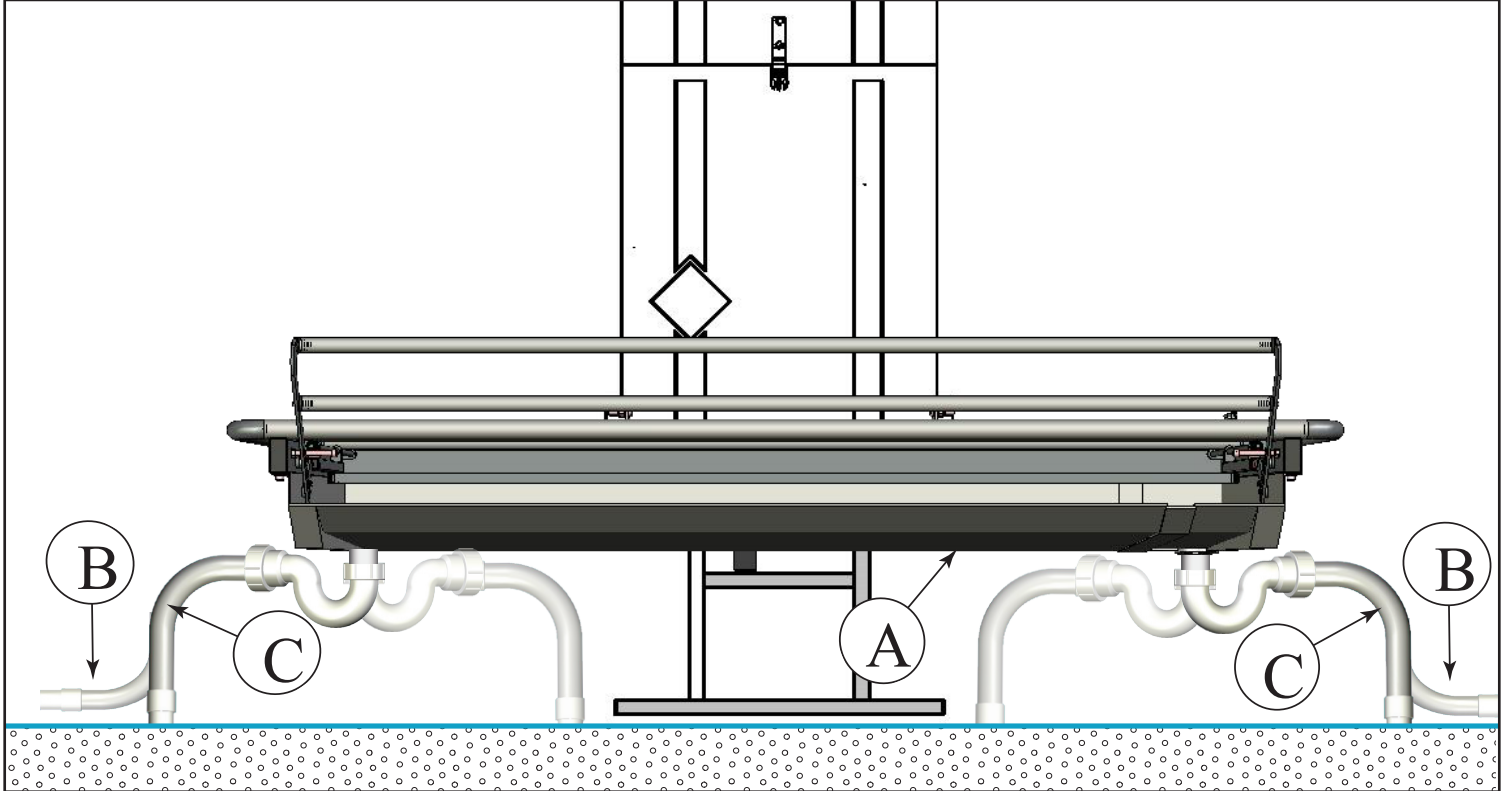


Optional Extras

Watertray

The stretcher can be fitted with a watertray (A). It has a P-trap and flexible waste hose attached to the right/left back corner of the underside of the tray that can be fixed to a waste/drain outlet (B) or positioned to allow the water to run into a gully (C).

We recommend that the fixed waste/drain is positioned to the right of the stretcher and within 150mm of the floor. Check order specification for handling of waste.



Technical Information

Electrics

A.C. Input 220-240V~, 50/60Hz, 1.25kW.

D.C. Output 24v 8 Amps

Safe Working Load 190 kgs

Test Load 235 kgs

Length 1600mm to 1900mm

Width 920 mm with guard

Stretcher Height Range

270mm Lowest - Approx 1030mm Highest - Approx

Cover/Spine Height Range

1500mm - Lowest 2260mm - Maximum

Technical Helpline - Direct Telephone Number - 01242 822972



Unit 11f, Coln Park

Andoversford

Gloucestershire

GL54 4HJ

Tel 01242-820820 Fax01242-821110

e mail: sales@astorbannerman.co.uk

VAT Reg No. 630609068